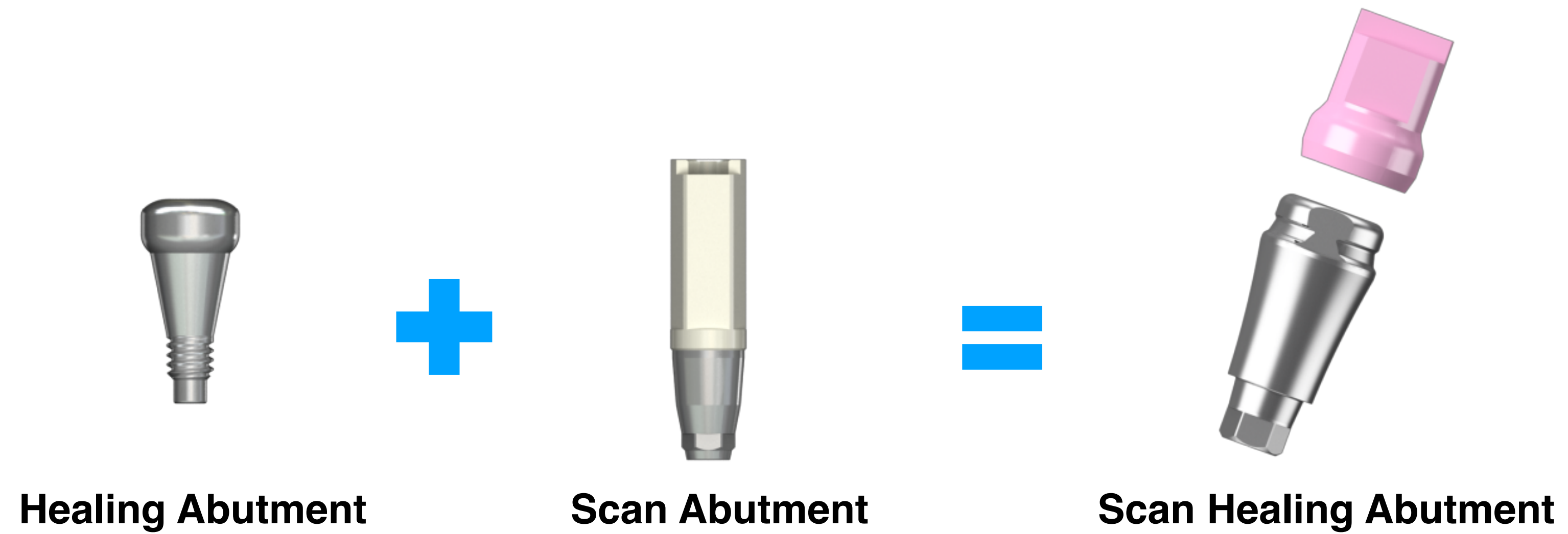


Scan Healing Abutment

User Guide

For Dental Clinic

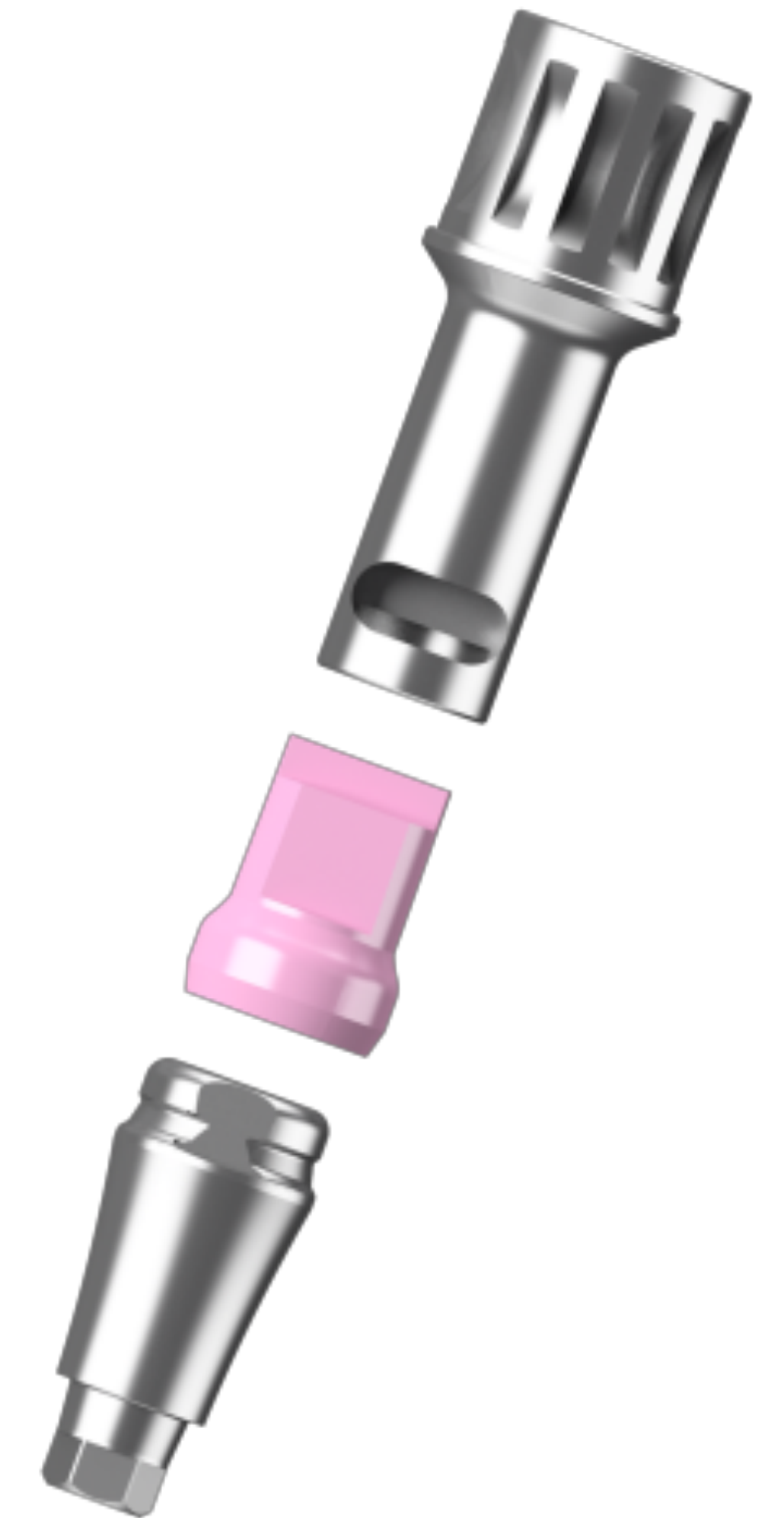
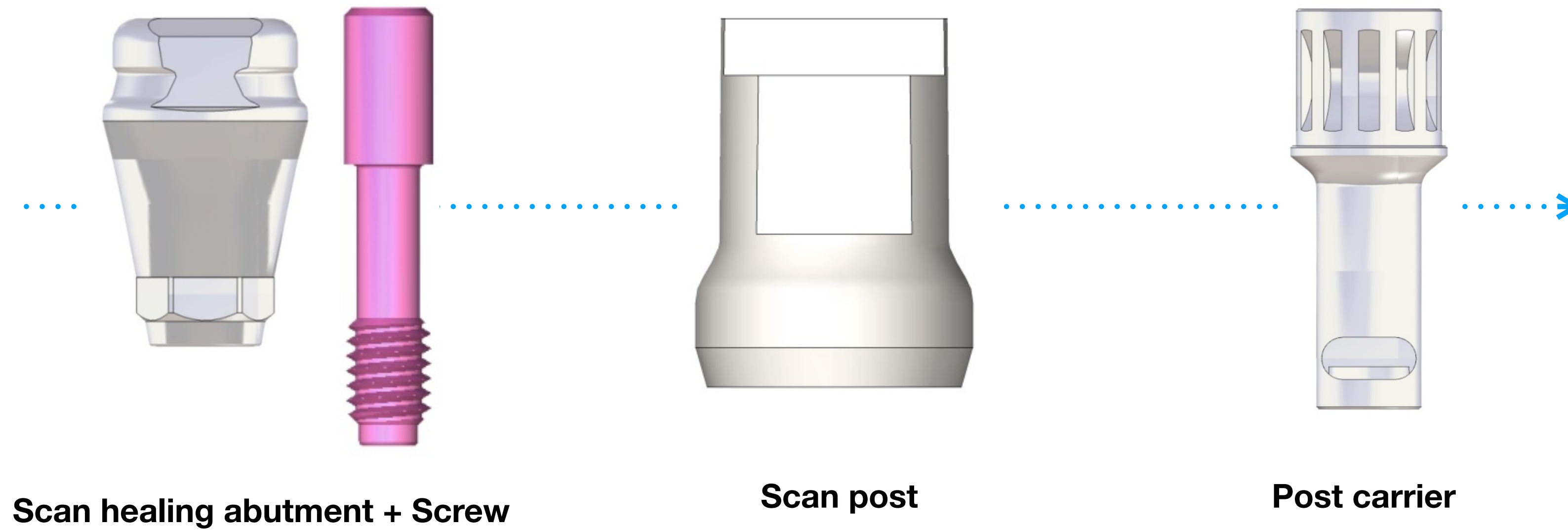
Why use Scan Healing Abutment?



* Product that combines Healing Abutment and Scan Abutment

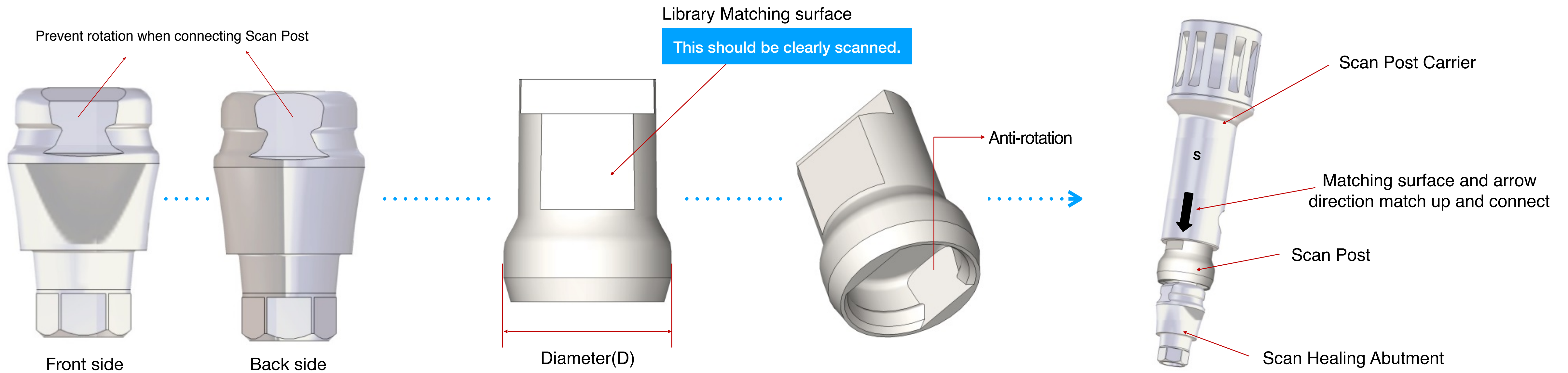
After removing the healing abutment from the mouth,
There is no inconvenience in connecting Scan abutment.

Composition of Scan Healing abutment



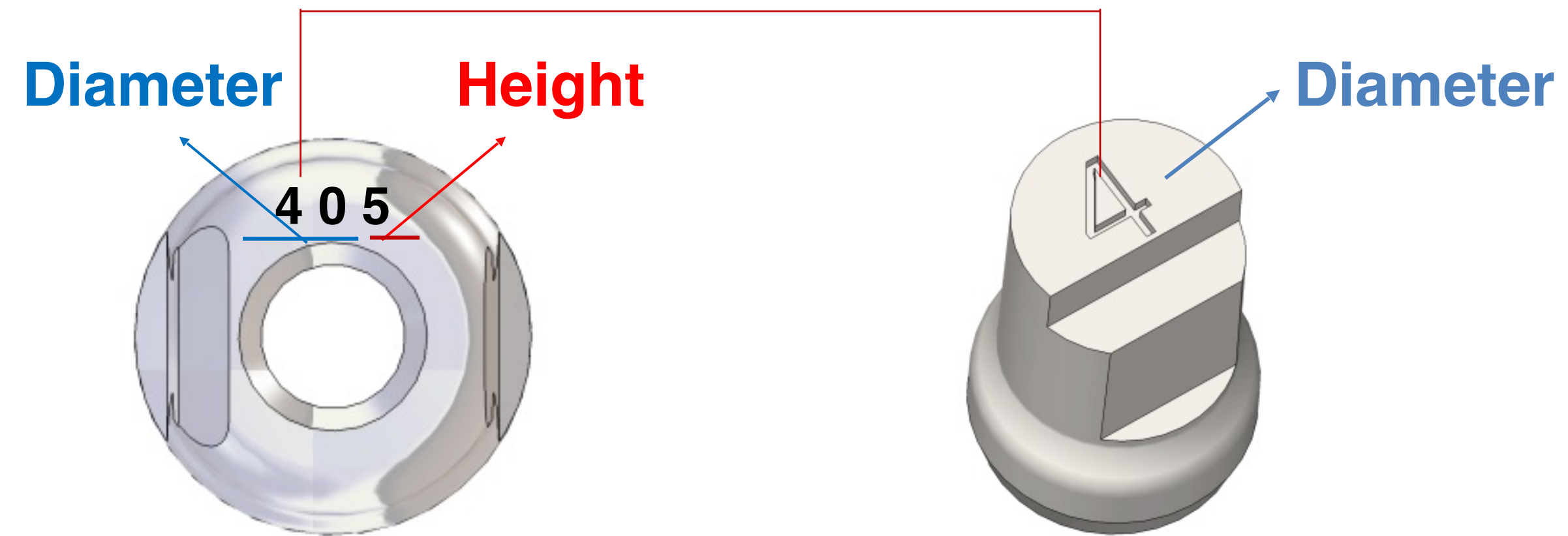
After selecting the appropriate size (Diameter, Height) of Scan healing abutment for the patient, Connect the scan post according to the Diameter to the scan healing abutment.

Characteristics of Scan Healing abutment



According to the **Diameter** of Scan Healing abutment

Product identification method of
Scan Healing abutment



Mark size on Top of Scan healing abutment
(Diameter, Height)

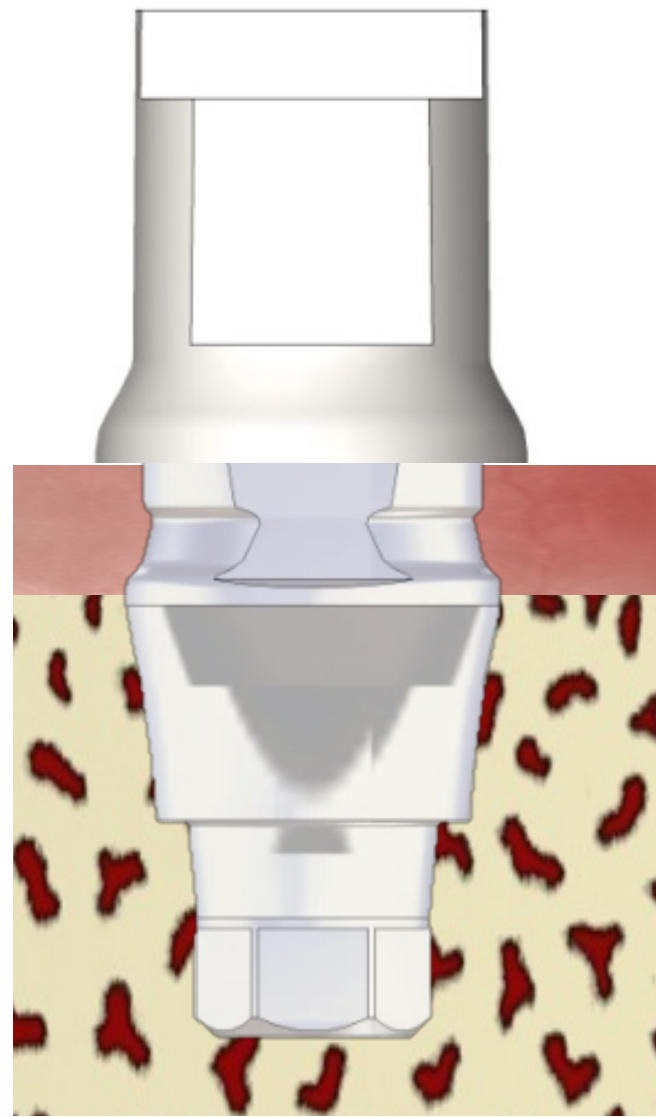
Mark size on Top of Sscan post
Diameter

According to the **Diameter** of
Scan Healing abutment and

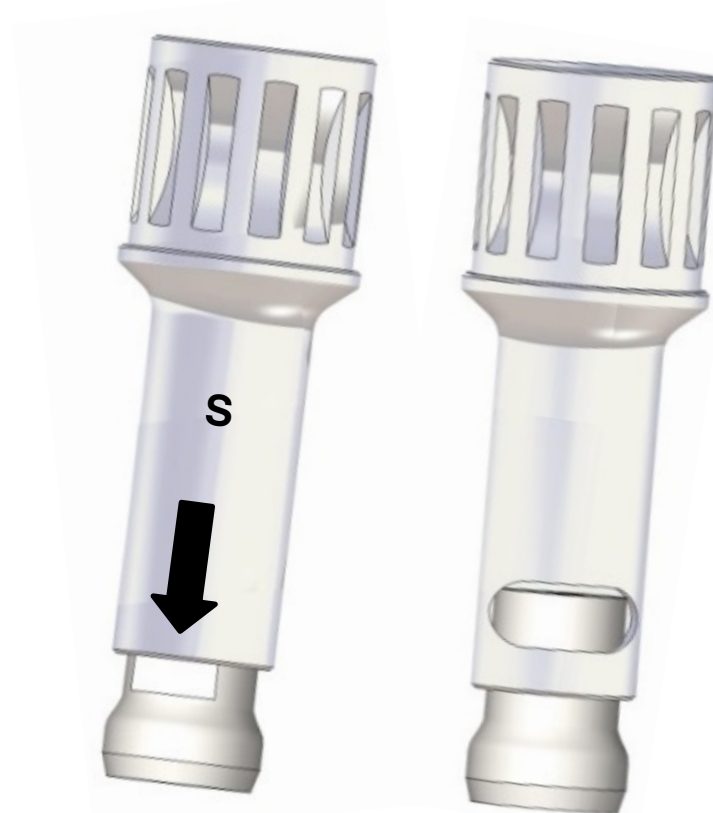
example) Anyone Implant
Diameter \varnothing 4.0 / Height 5 mm

Scan Healing abutment - Ref.AOISH4005T
Scan post - Ref.SP4007.MTN

How to use the Scan post

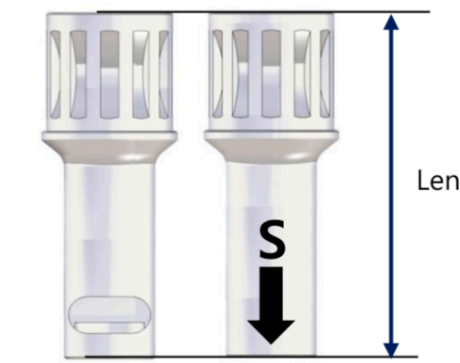


- 1) Connect the Scan Healing abutment to the fixture.
- 2) Select the appropriate Scan post for the Scan Healing abutment
- 3) Connect the scan post to the Scan healing abutment in combination with carrier
- 4) Press the Scan post into the Scan healing abutment until clicks.
- 5) The orientation of the scan plane of Scan healing abutment and the matching plane of Scan plane must match.

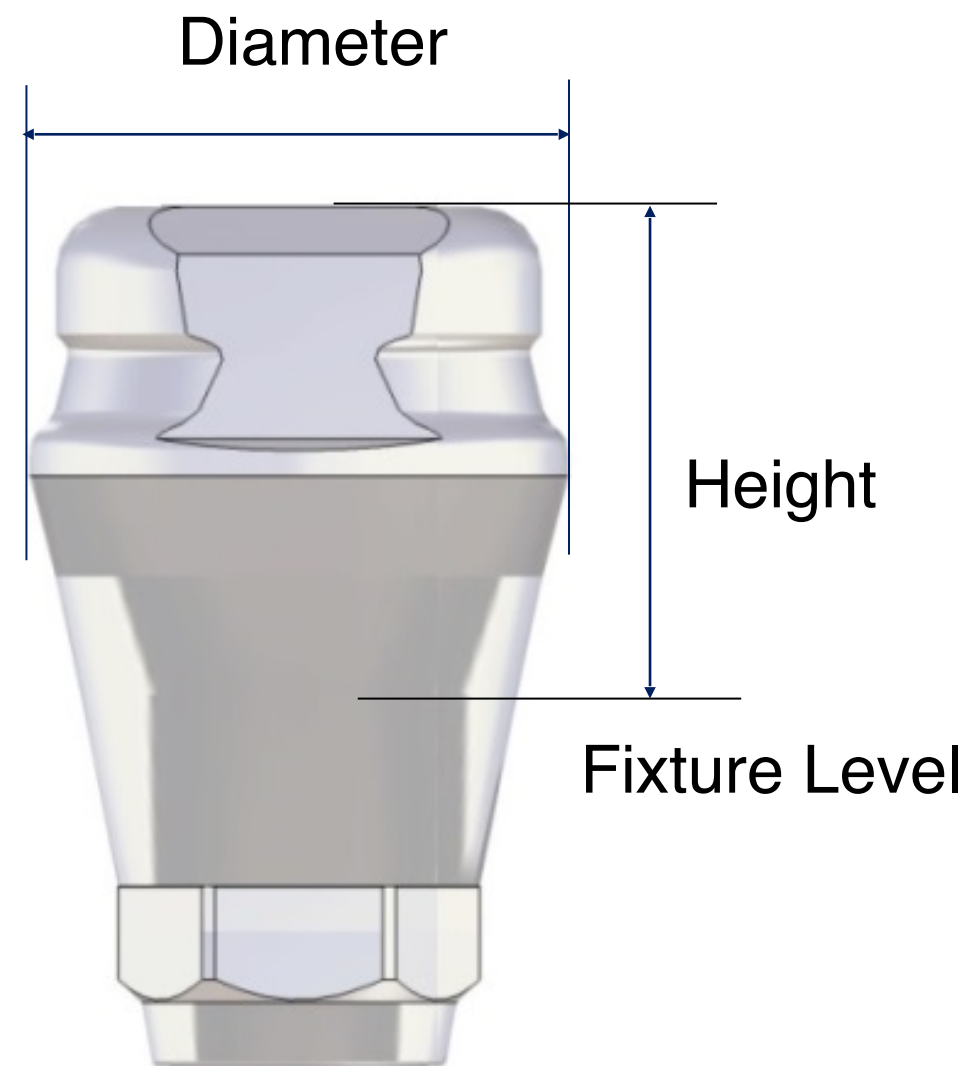


- Align the direction of the arrow on the Scan Post Carrier with the direction of the Scan face on the Scan Post to connect the two products.
- Connect the Carrier completely to the Scan post so that it is fixed.
- Connect to the Scan Healing Abutment with the Scan Post fixed.

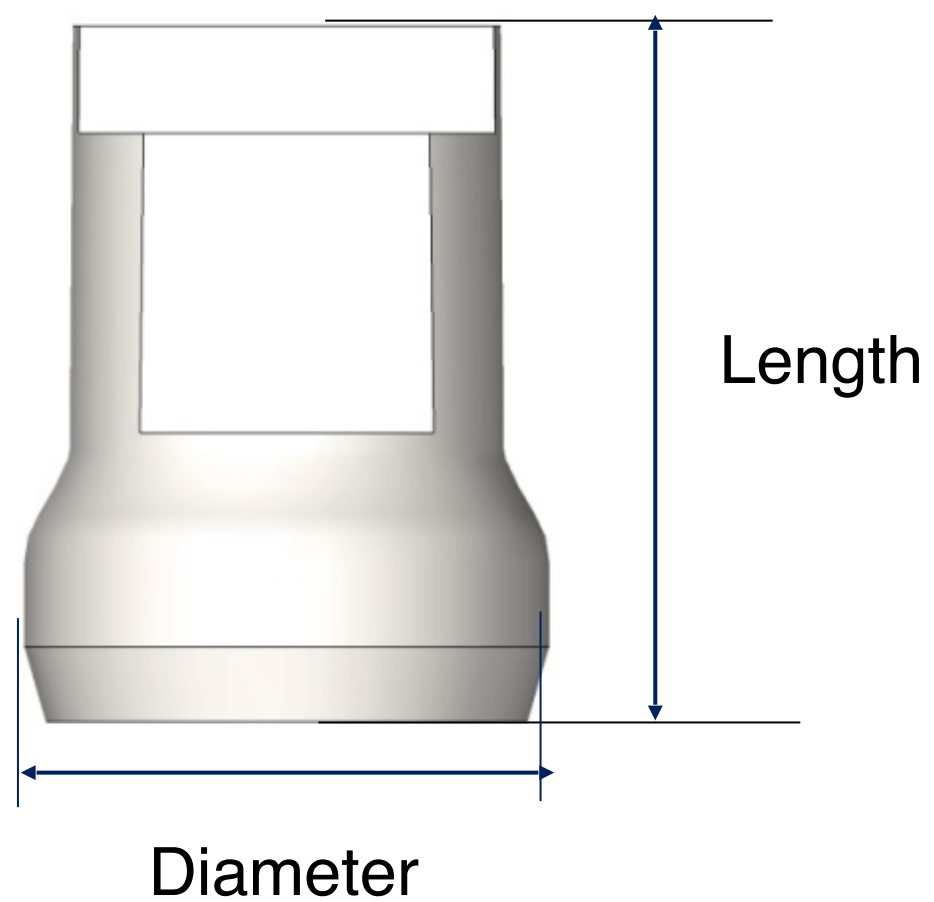
Anyone Implant User Guide



System	Ref.Code	Length
Common	SPC16	19 mm



[Anyone Internal]

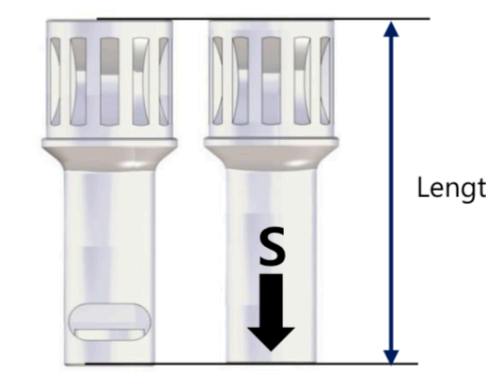


AnyOne Internal				
Diameter	Height	Scan Healing Abutment Ref. Code	Scan post Ref. Code	Scan Healing Abutment Screw Ref. Code
Ø4	4	AOISH4004T	SP4007.MTN	AOIHS2004
Ø4	5	AOISH4005T		AOIHS2005
Ø4	7	AOISH4007T		AOIHS2007
Ø4.5	4	AOISH4504T	SP5007.MTN	AOIHS2004
Ø4.5	5	AOISH4505T		AOIHS2005
Ø4.5	7	AOISH4507T		AOIHS2007
Ø5.5	4	AOISH5504T	SP6007.MTN	AOIHS2004
Ø5.5	5	AOISH5505T		AOIHS2005
Ø5.5	7	AOISH5507T		AOIHS2007
Ø6.5	4	AOISH6504T	SP7007.MTN	AOIHS2004
Ø6.5	5	AOISH6505T		AOIHS2005
Ø6.5	7	AOISH6507T		AOIHS2007

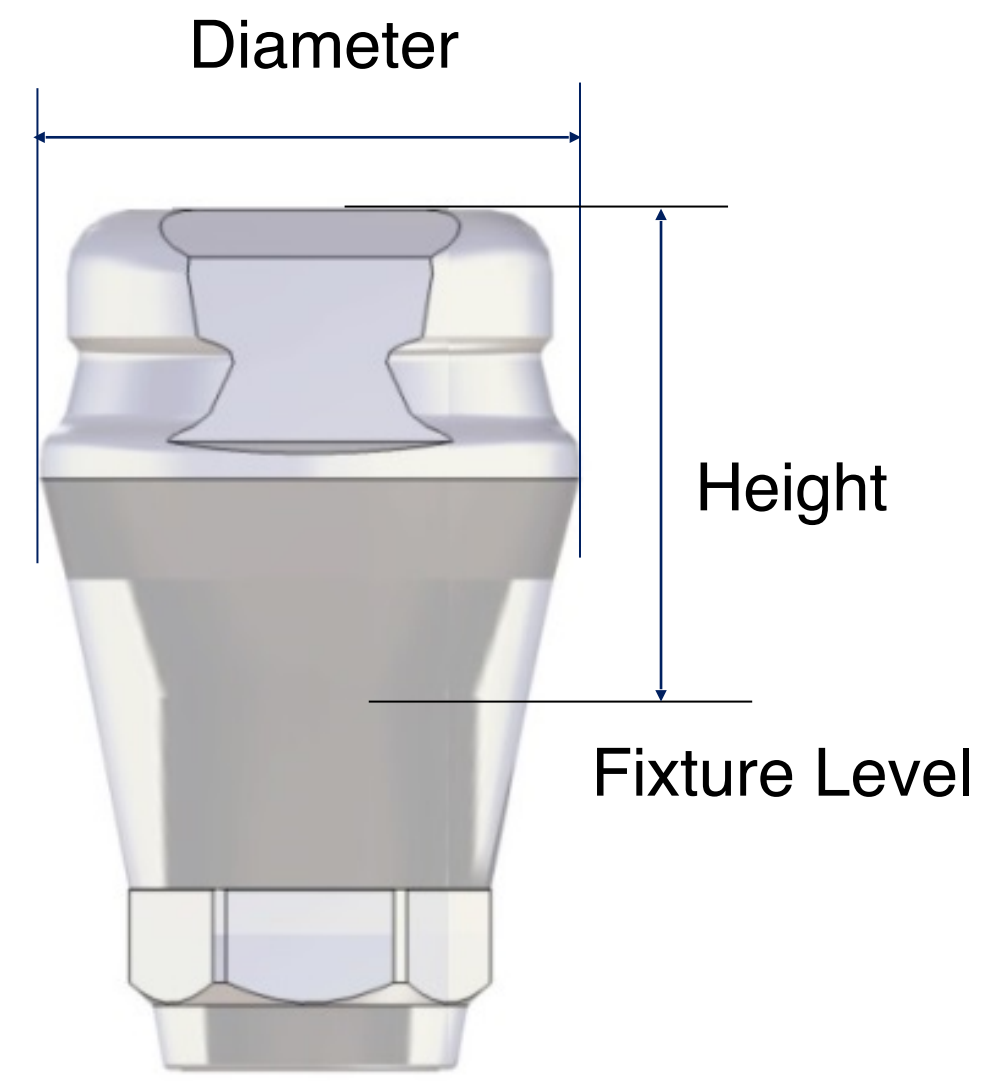
When sending a scan file to a Dental Laboratory, Provide the patient with the information on the Height of the scan healing abutment used.

* Scan Post is a disposable product sold in 10ea packages

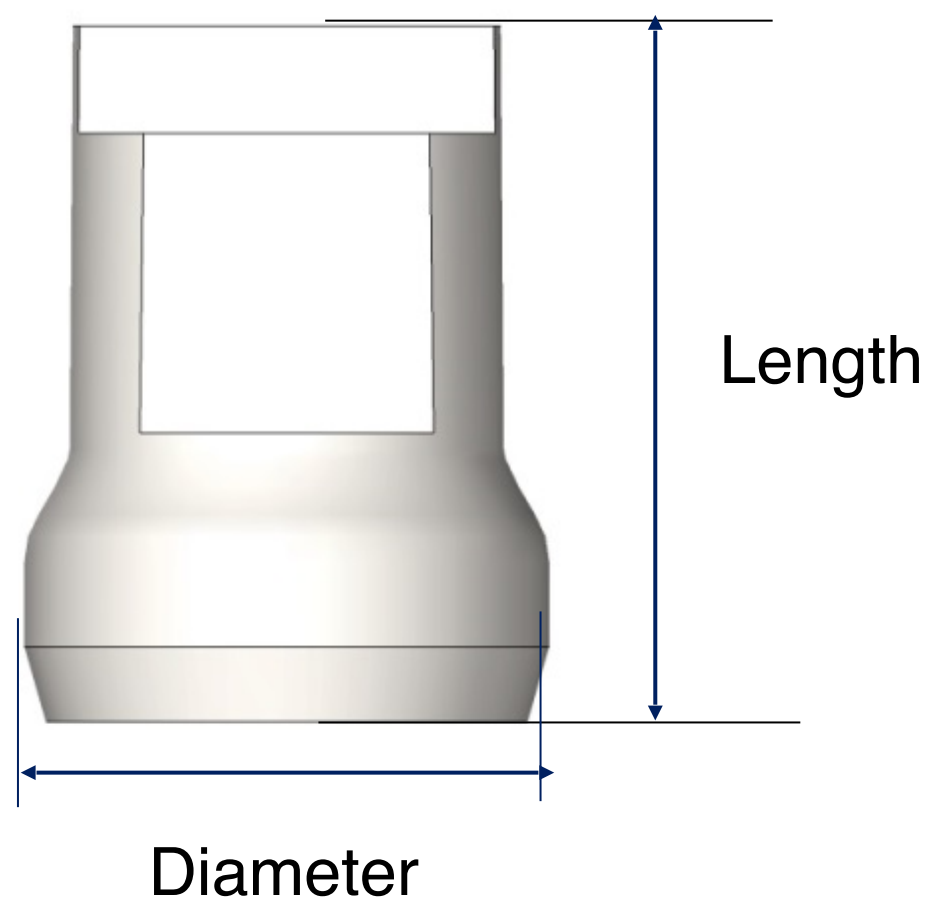
AnyRidge Implant User Guide



System	Ref.Code	Length
Common	SPC16	19 mm



[AnyRidge Internal]



AnyRidge Internal				
Diameter	Height	Scan Healing Abutment Ref. Code	Scan post Ref. Code	Scan Healing Abutment Screw Ref. Code
Ø4	4	ARISH4004T	SP4007.MTN	ARIHS1804
Ø4	5	ARISH4005T		ARIHS1805
Ø4	7	ARISH4007T		ARIHS1807
Ø5	4	ARISH5004T	SP5007.MTN	ARIHS1804
Ø5	5	ARISH5005T		ARIHS1805
Ø5	7	ARISH5007T		ARIHS1807
Ø6	4	ARISH6004T	SP6007.MTN	ARIHS1804
Ø6	5	ARISH6005T		ARIHS1805
Ø6	7	ARISH6007T		ARIHS1807
Ø7	4	ARISH7004T	SP7007.MTN	ARIHS1804
Ø7	5	ARISH7005T		ARIHS1805
Ø7	7	ARISH7007T		ARIHS1807

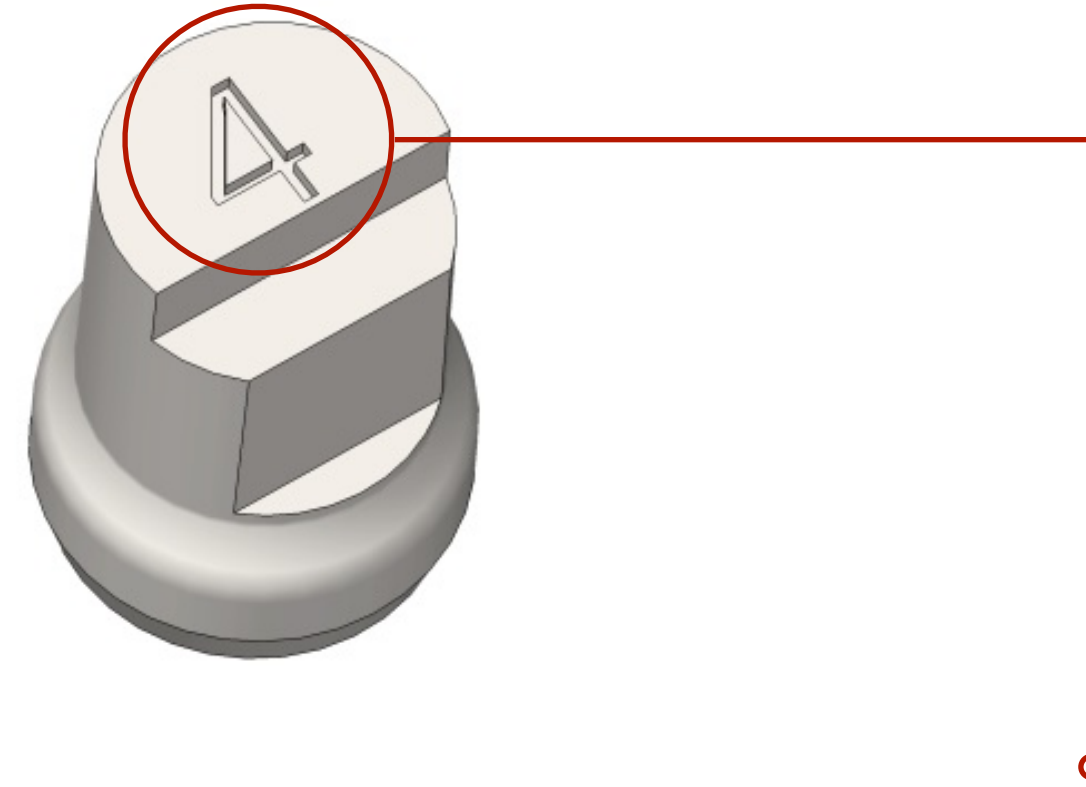
* Scan Post is a disposable product sold in 10ea packages

When sending a scan file to a Dental Laboratory,
Provide the patient with the information on the Height of the scan healing abutment used.

For Dental Lab

Scan Healing Abutment ScanData Operation

* Don't get confused!



The number on the scan post is the [Diameter](#) of the Scan Healing abutment.

When ***selecting the Implant Library*** in CAD software
The height of the ***scan healing element is the reference.***

* Get the right information on the scan Healing abutment used by the dentist and proceed.

example) Anyone Implant
Diameter Ø 4.5 / Height 5 mm

Library - Healing Height 5mm select

example) Anyridge Implant
Diameter Ø 6.0 / Height 7 mm

Library - Healing Height 7mm select